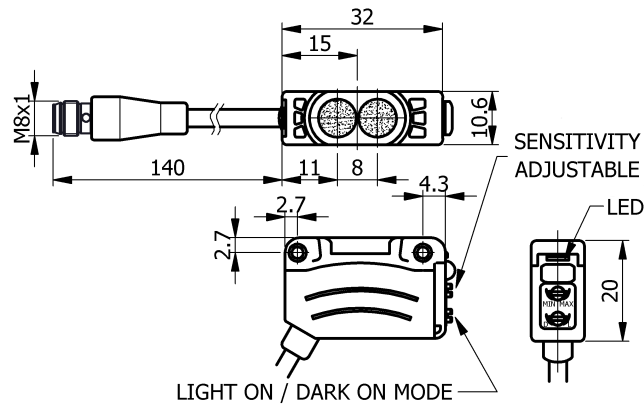


Part number: **FTQ000228** Model: **FTPS-BGS CP5 PNP H1C**



Dimension in mm

1. TECHNICAL CHARACTERISTICS



Detection type

Function principle: Diffuse reflective with background suppression

Electrical data

Power supply type:		Direct current
Working voltage:	[V]	12 ÷ 24
Current consumption:	[mA]	< 30
Protection class:		II
Reverse polarity protection:		Present
Time delay before availability:	[ms]	1.5 ms
Type of light emitted:		Red
Wave length:	[nm]	660 nm
Noise immunity test:		± 240 V - Noise waveform: square. Impulse duration: 1µs
Dielectric strength:	[Vac]	1000 50÷60 Hz for 1 minut

Outputs

Electrical design:		PNP
Function:		Light-on/Dark-on mode (Programmable)
Max voltage drop:	[V]	2.5
Max output current:		100
Short circuit protection:		Presente
Type of short-circuit protection:		Impulsive
Overload protection:		Present

Detection zone

Switching distance-Sn:	[cm]	0.1 ÷ 3 with 5X5 cm non-glossy white paper
Sensing target:		Traslucent, opaque materials
Min. light spot diameter:	[mm]	Approx. Ø 4.5 mm

Accuracy and Deviations

Hysteresis:	[%Sr]	< 20
-------------	-------	------



POSITION SENSORS

Miniature Photoelectric Sensors

Environmental conditions		
Ambient temperature:	[°C]	Operating: -25 ÷ +55 Storage: -40 ÷ +70
Ambient illumination:	[lx]	Sunlight: < 11.000 Lux Incandescent lamp: < 3.000 Lux
Ambient humidity:	[% RH]	Operating: 35 ÷ +85 Storage: 35 ÷ +85
IP rating:		IP65
Vibration:		Amplitude: 1.5 mm at frequency of 10 ÷ 55Hz (for 1 min) Application direction: each X, Y, Z axis for 2 hours
Shock:		Amplitude: 500 m/s ² for 3 minuti Application direction: each asse X,Y,Z axis
Display and control elements		
Display:		Output state: RED LED Stability: GREEN LED
Sensitivity adjuster:		Present
Ligth ON/Dark ON operation mode switch:		Present
Mechanical data		
Housing:		Parallelepiped
Dimensions:		32x20x10.6
Materials:		Housing: Polycarbonate+Acrylonitrile butadiene styrene LED Cap: Polycarbonate Sensing part: Polymethyl methacrylate.
Weigth:	[g]	45
Electrical connection		
Connector:		H1 type - M8X1 - gold plated contacts + PVC cable 10 cm
Compliance to Standards / Directives		
Directives compliance:		2014/30/EU -Electromagnetic compatibility directive (EMC)
Standards compliance:		EN610000-6-2:2005 and EN61000-6-4:2007

2. NORME DI INSTALLAZIONE

WIRING DIAGRAM

